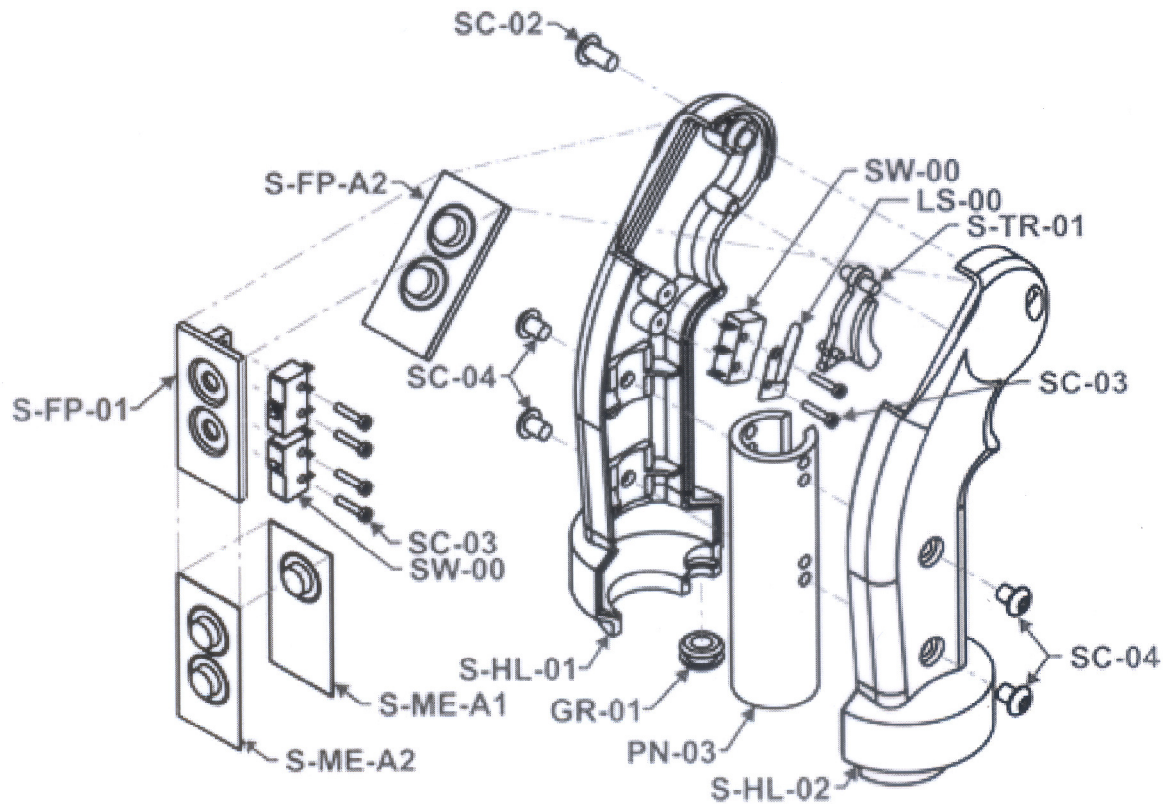


ÉQUIPEMENT
AMÉRIFOR INC.



Part	Description	Part	Description
GR-01	Wire Grommet	S-HL-02	Handle Case Right
LS-00	Leaf Spring	S-ME-A1	1 Button Overlay
LS-01	Leaf Spring Kit c/w Screws	S-ME-A2	2 Button Overlay
PN-03	Mounting Pin	S-TR-01	Single Trigger
S-FP-00	Blank Faceplate	SC-02	Button Capscrew #10-32 x 3/8"
S-FP-01	Empty Faceplate	SC-03	Tapping Screw #2 x 7/16"
S-FP-A1	1 Button Faceplate Assy.	SC-04	Button Capscrew #10-32 x 1/4"
S-FP-A2	2 Button Faceplate Assy.	SW-00	Switch S Series
S-HL-01	Handle Case Left		