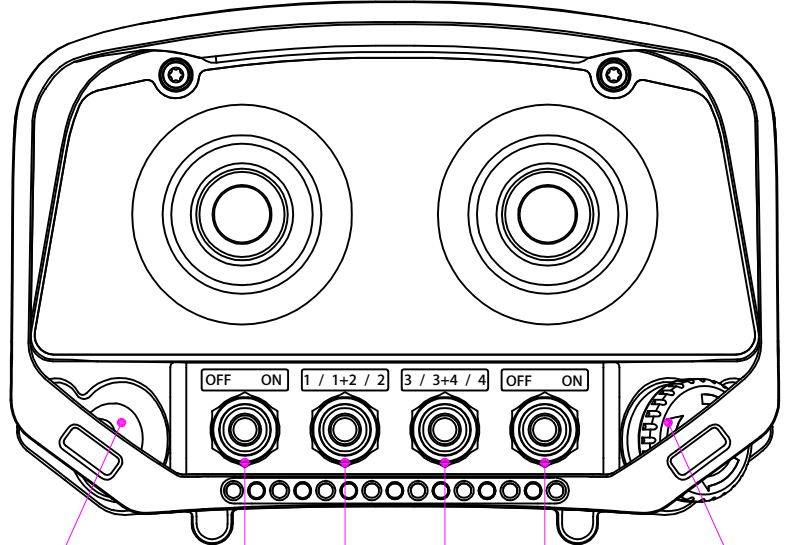
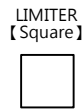
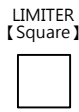
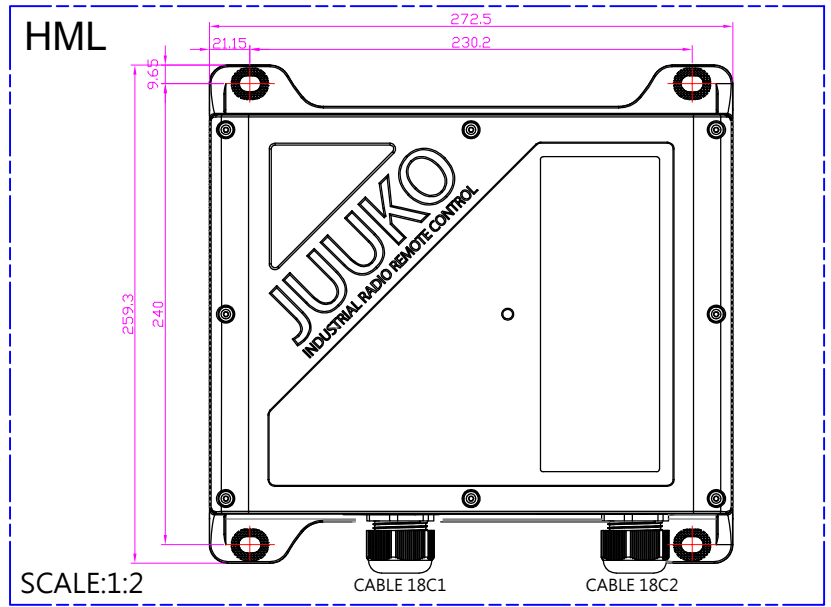
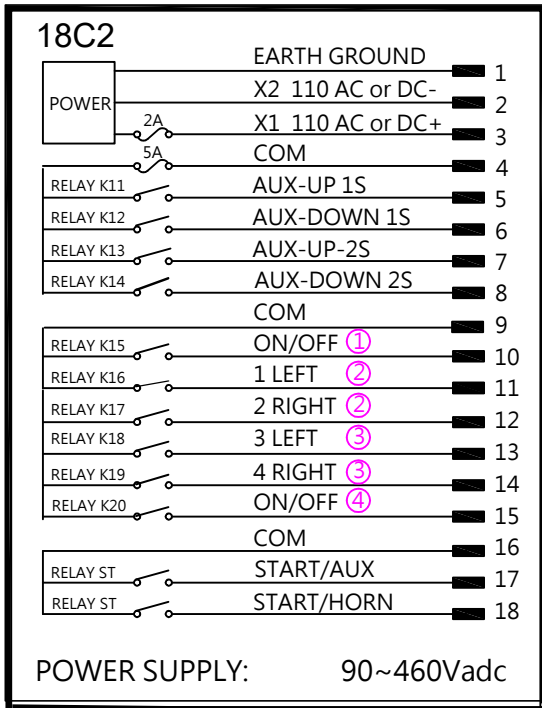
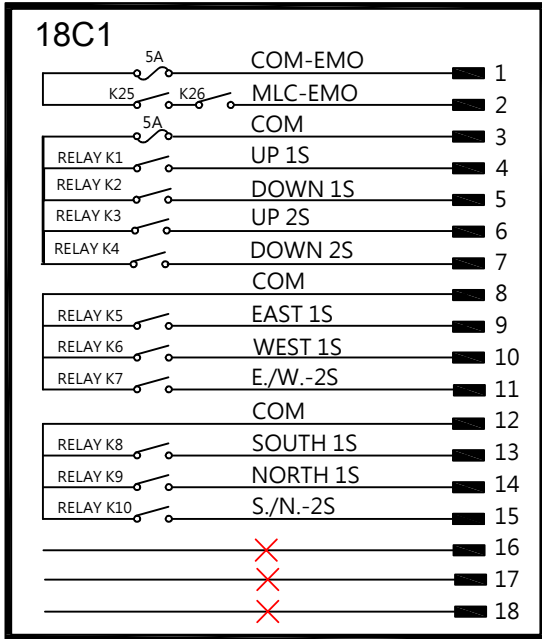


WIRING DIAGRAM



Start/Horn

①

②

③

④

EMO

- ① 3TJW106D OFF - ON (OFF ON)
- ② 3TJW106E ON-OFF-ON (1 / 1+2 / 2)
- ③ 3TJW106E ON-OFF-ON (3 / 3+4 / 4)
- ④ 3TJW106D OFF - ON (OFF ON)

Dimensions: 200x141x139(mm)

			Customer	CANADA KL	NO.	CM2020052118	UNIT	mm	SCALE	1:2
			DATE	2020.05.26	Approved	P-DEVELTER	VERSION			
NO.	DATE	CHANGED	DESCRIPTION	HM-M200104PN	DRAWN	Jynx	REMARK	M series (915Mhz)		



UNIT 8-2355 DERRY ROAD EST
MISSISSAUGA, ON, L5S1V6
CANADA

TEL: 1-855-888-1894
FAX: 1-855-888-1894
WWW.JUUKO.CA

